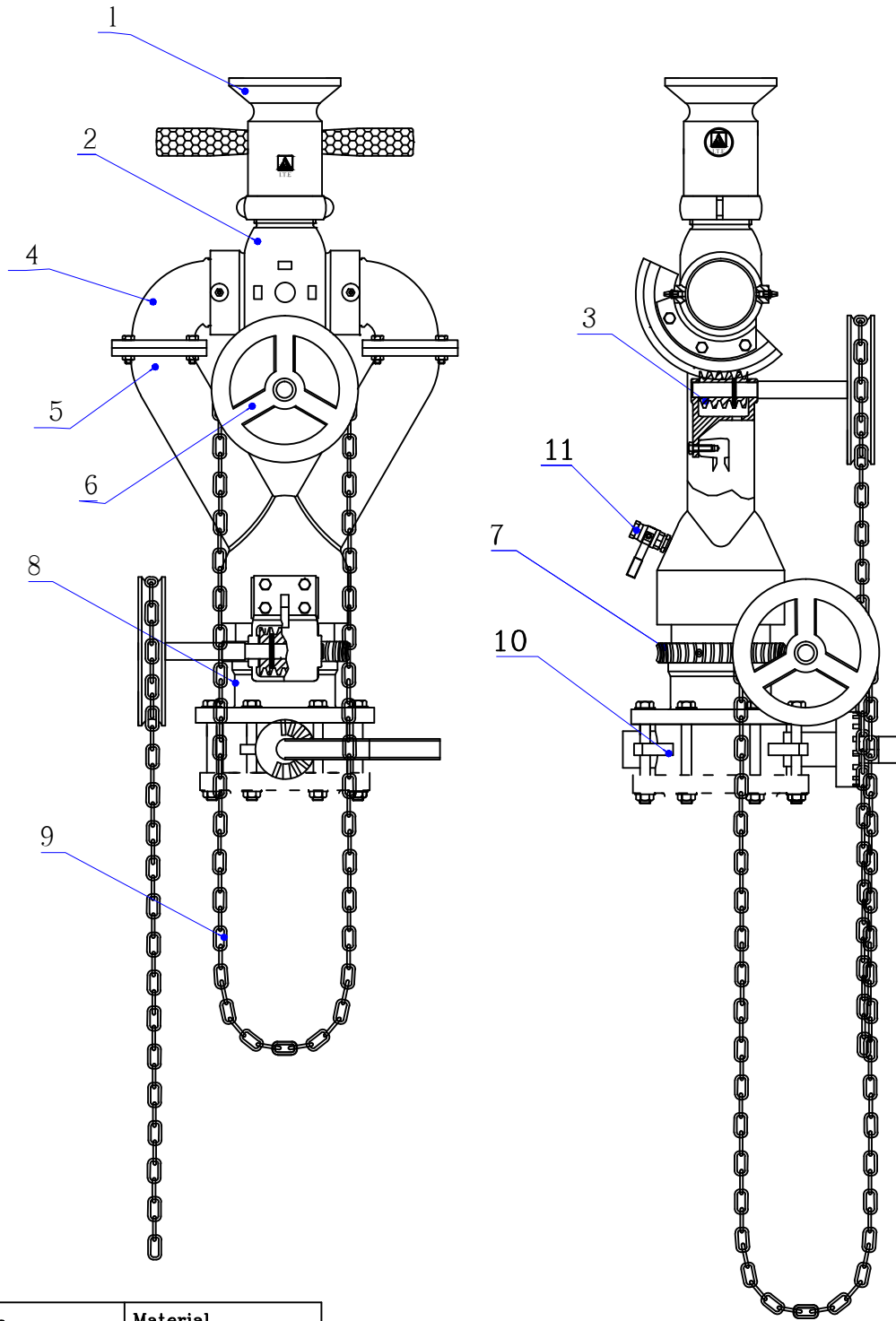

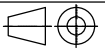


WATER MONITOR MODEL: TR-MW4



No.	Part name	Material
1	NOZZLE NM1	GUNMETAL
2	TRIODE	GUNMETAL
3	UPPER HELICOID GEAR	GUNMETAL
4	ELBOW	GUNMETAL
5	MAIN BODY	GUNMETAL
6	SPOOL	Cast Iron
7	LOWER HELICOID GEAR	GUNMETAL
8	INLET FLANGE 4" #150 R.F	GUNMETAL
9	CHAIN	GALVANIZED STEEL
10	4" BUTTRFLY VALVE	D. CAST IRON
11	1/2" DRAIN(BALL VALVE)	BRASS

NOTE: MONITOR MODEL: TR-MW4					 I.T.E
Date	Design	Drawn	Checked	REV.	 <small>TOL: DIN-7168m</small> <small>Size: A4</small> <small>Scale:</small> <small>Sheet: 1 of 1</small> <small>QTY. :</small>
Part Name: <i>TOTAL</i>		Drawing No: <i>MW4-01</i>			
Material: <i>As above chart</i>		PROJECT:			